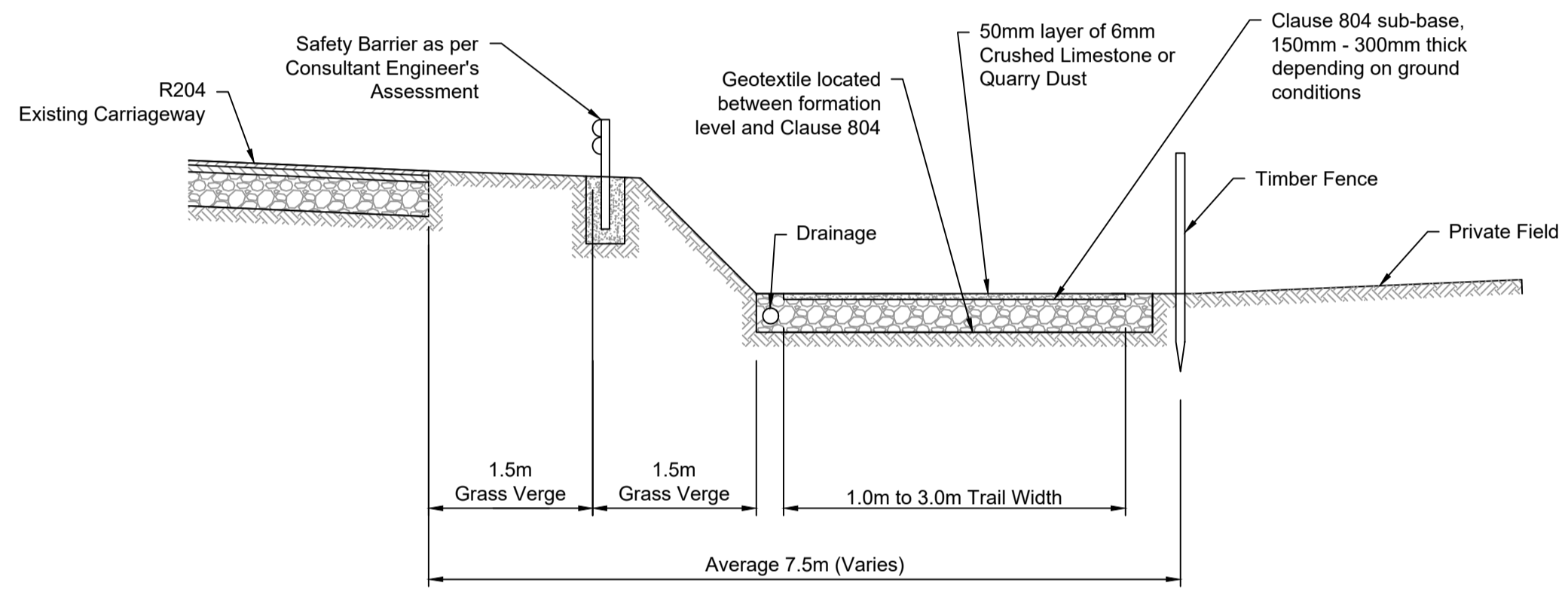
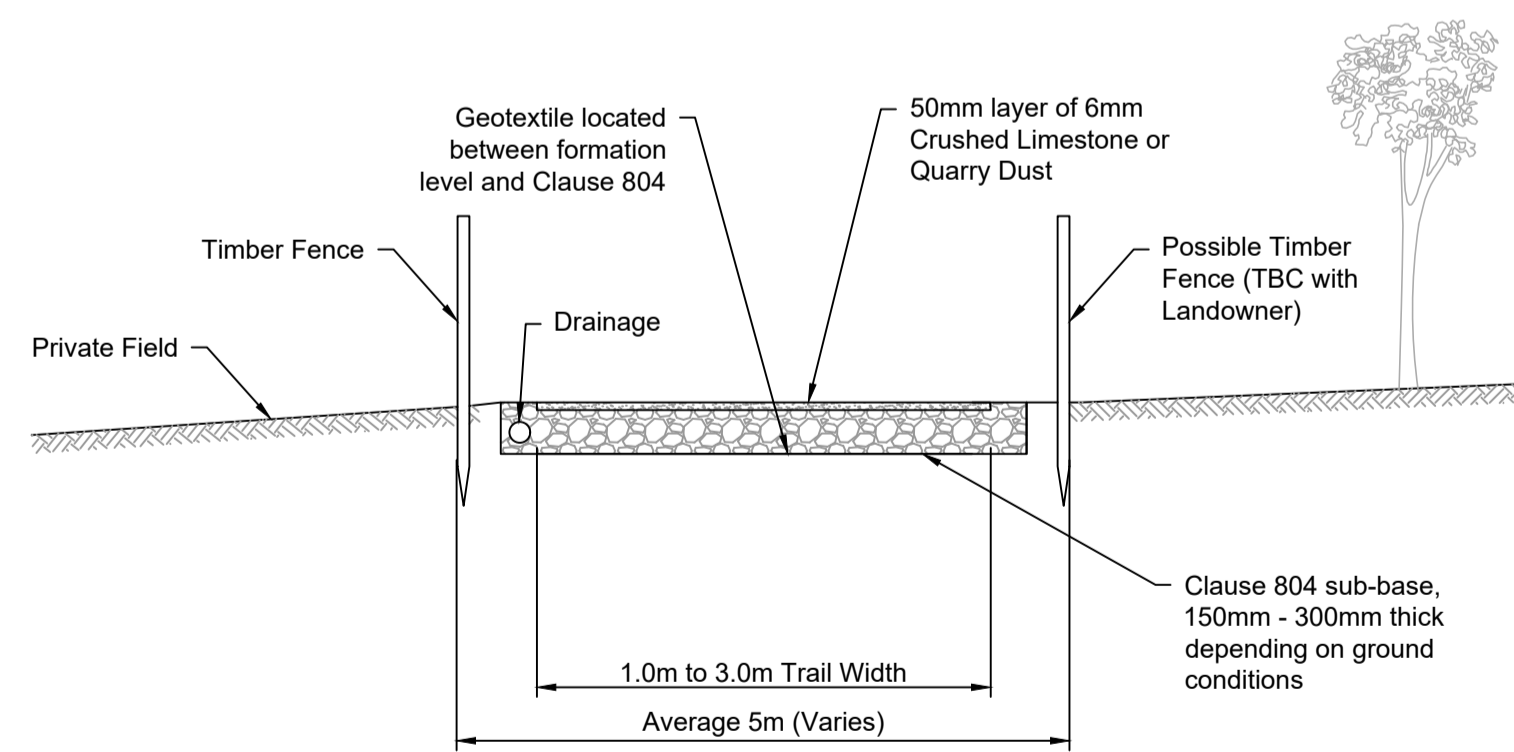


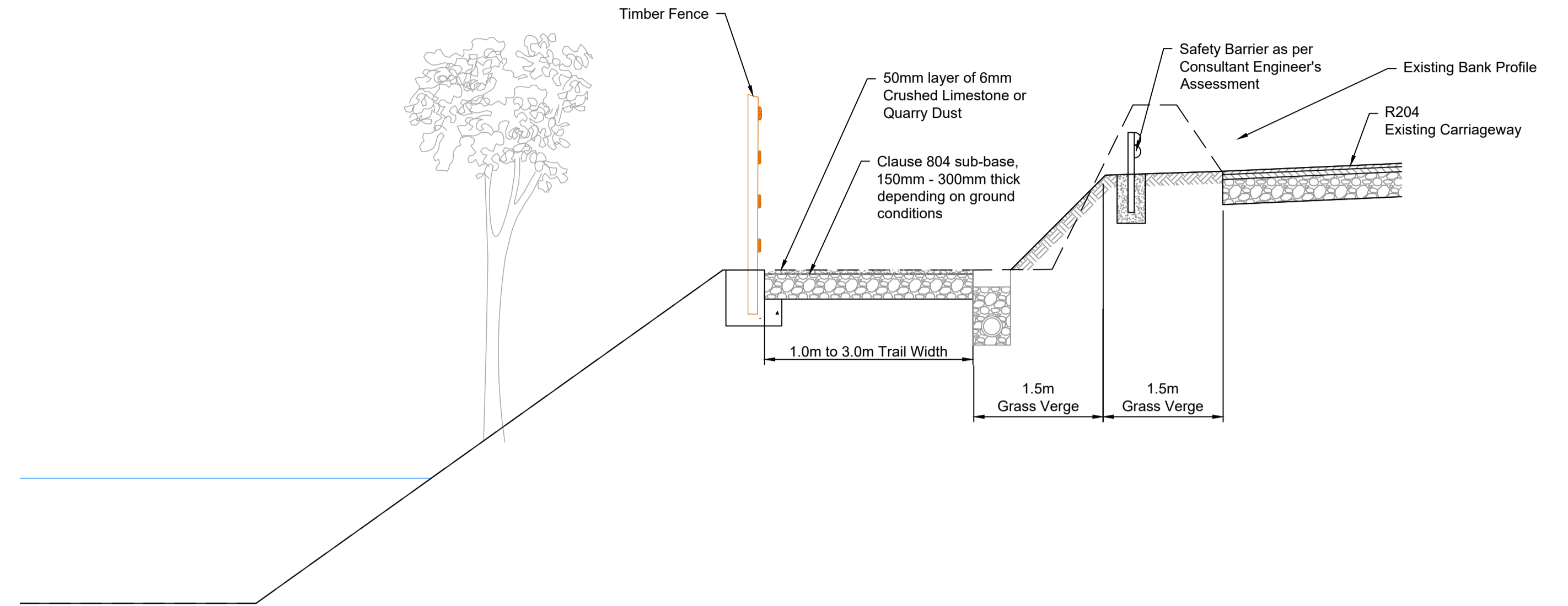
Section A
Typical Roadside Section - Hardstand Verge
 Scale 1:50 at A1



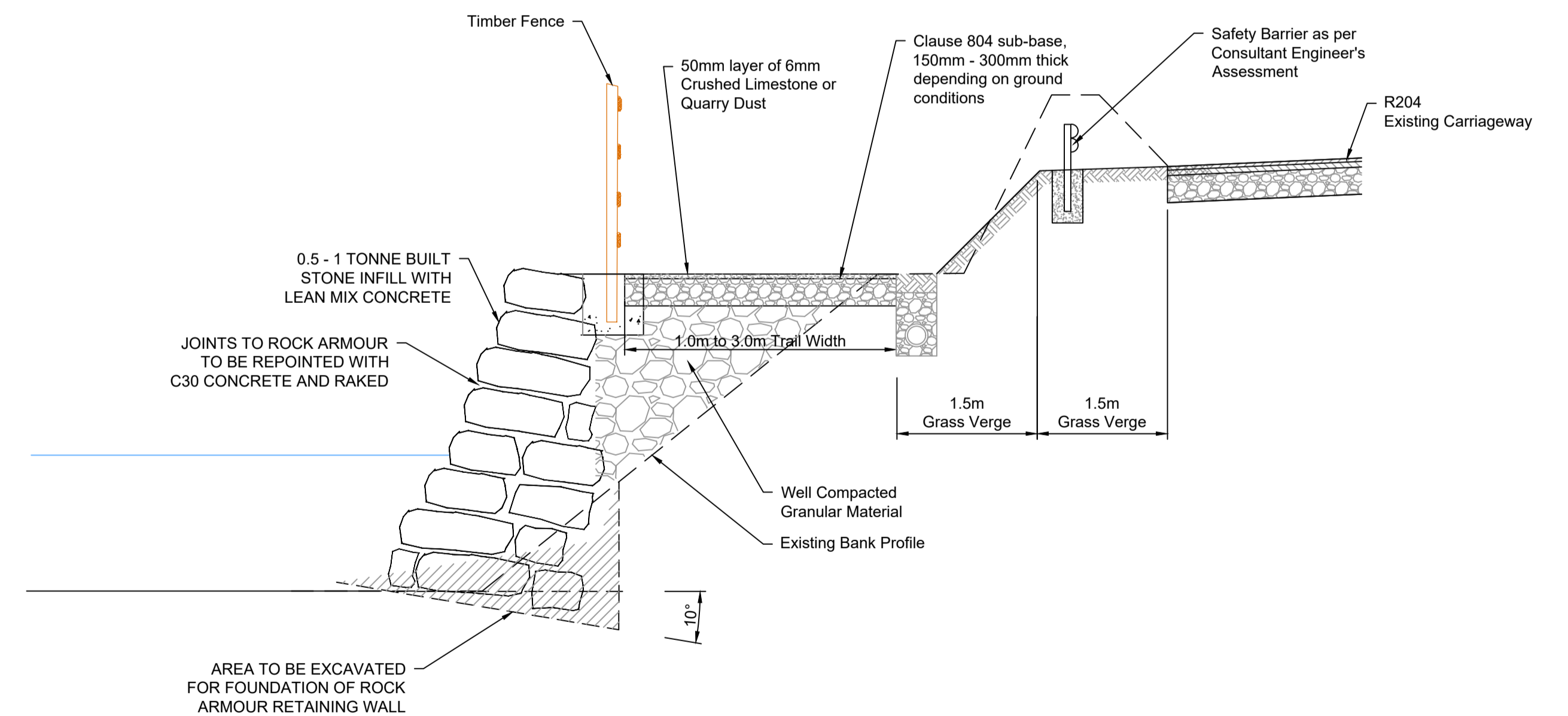
Section B
Typical Roadside Section - Grass Verge
 Scale 1:50 at A1



Section C
Typical Section through Field
 Scale 1:50 at A1



Section D
Typical Section through Riverside Section
 Scale 1:50 at A1



Section D
Typical Section through Rock Armour
 Scale 1:50 at A1

- NOTES:**
- Drawing to be read in accordance with all other drawings pertaining to the works.
 - All dimensions in millimetres and all levels in metres unless otherwise stated.
 - All levels to ordnance datum Malin Head.

PROJECT PARTNERS



Leitrim County Council
 Áras An Chontae
 Carrick on Shannon
 Co. Leitrim
 Tel: +353 (0)71 9620005
 Fax: +353 (0)71 9621982
 Email: info@leitrimcoco.ie

STAGE

PRELIMINARY
PLANNING
PART 8
TENDER
CONTRACT
AS BUILT

Revision Suffix	Revision Details	Revision Date
C	Title block amended	Sept 20
B	Existing bank amended	May 20
A	Existing bank amended	Apr 20

Project Title		Drawing Title	
AGHOO BRIDGE TO LOCK 4 BLUEWAY		TYPICAL PATH SECTIONS	
Client	Date	Scale	Drawn
M.PATTON	MAR 2020	AS SHOWN	K.FRIEL
DRAWING No.		NSE/AA436/P201	

C