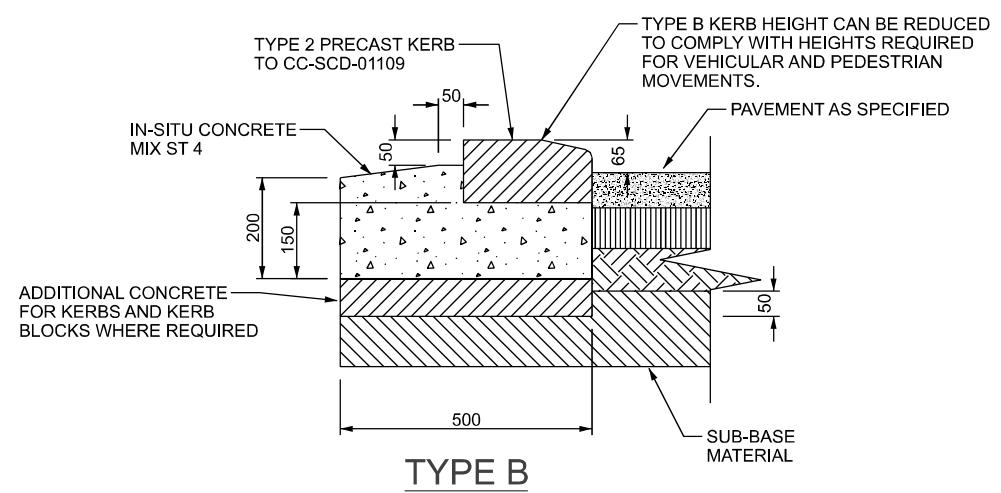
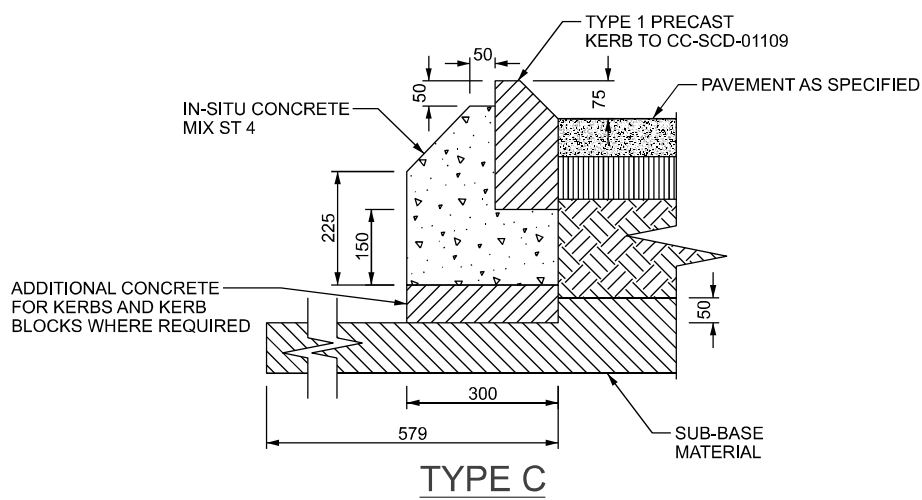


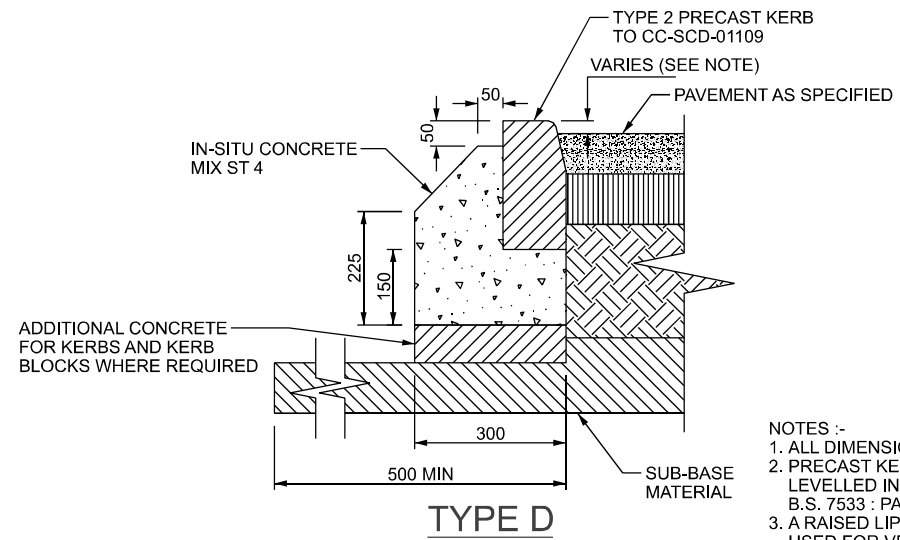
**TYPE A**



**TYPE B**



**TYPE C**



**TYPE D**

- NOTES :-
1. ALL DIMENSIONS ARE IN MILLIMETRES.
  2. PRECAST KERBS SHALL BE LAID AND LEVELLED IN ACCORDANCE WITH B.S. 7533 : PART 4.
  3. A RAISED LIP OF 25mm SHOULD BE USED FOR VEHICULAR ENTRANCES.
  4. A RAISED LIP OF 0-6mm SHOULD BE USED FOR PEDESTRIAN CROSSINGS.



PUBLICATION TITLE  
KERBS, FOOTWAYS AND PAVED AREAS  
PRECAST KERBS

ACTIVITY	PUBLICATION TITLE			PUBLICATION NUMBER	
STREAM	HISTORICAL REFERENCE	DOCUMENTATION SET	PUBLICATION DATE	ACTIVITY	STREAM
STANDARD CONSTRUCTION DETAILS (SCD)	RCD/1100/1	STANDARDS	DECEMBER 2010	CC	SCD
					DRAWING NUMBER
					01101