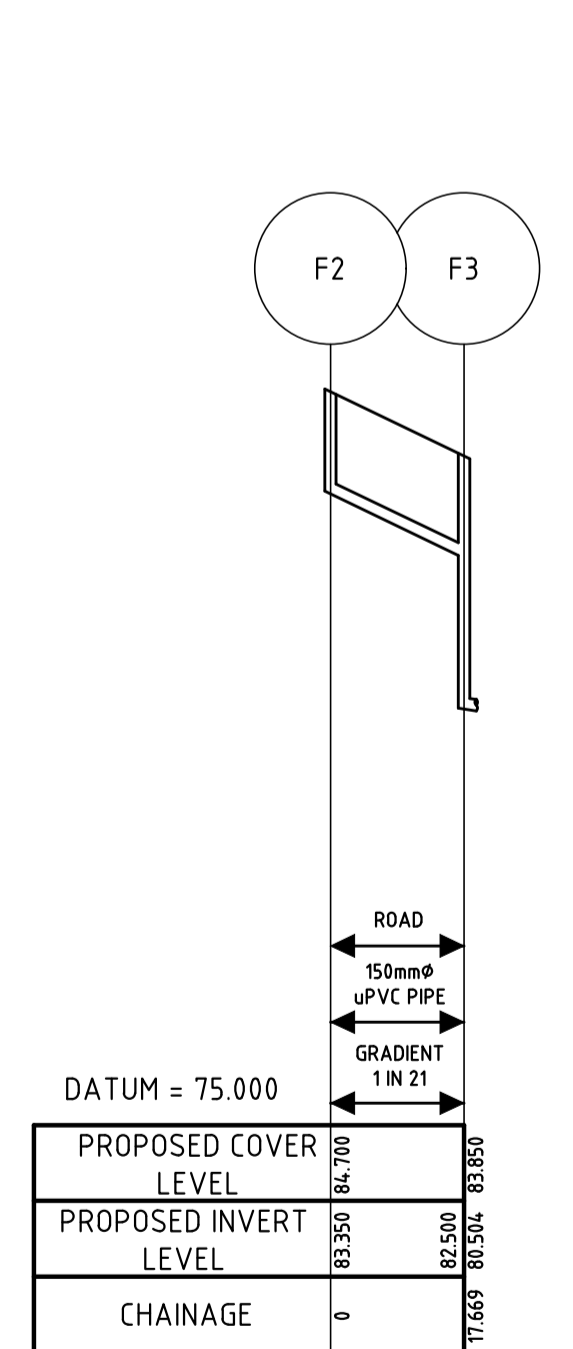
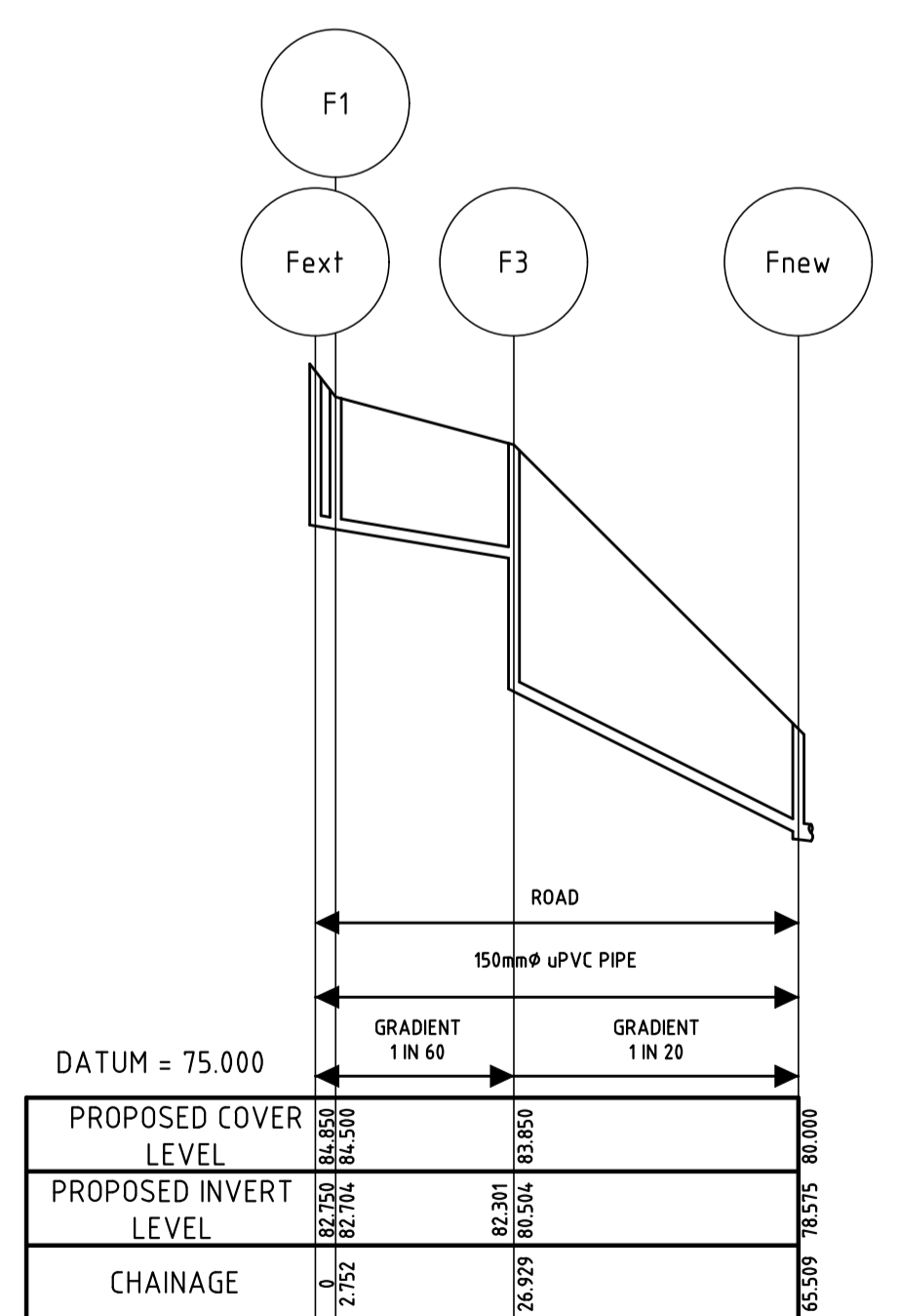
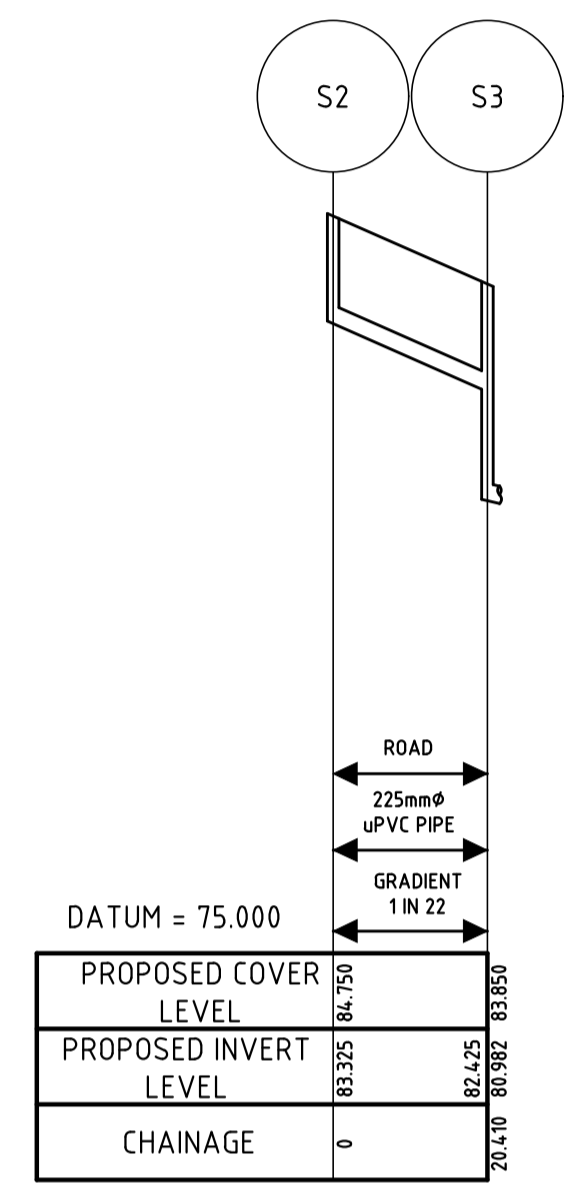
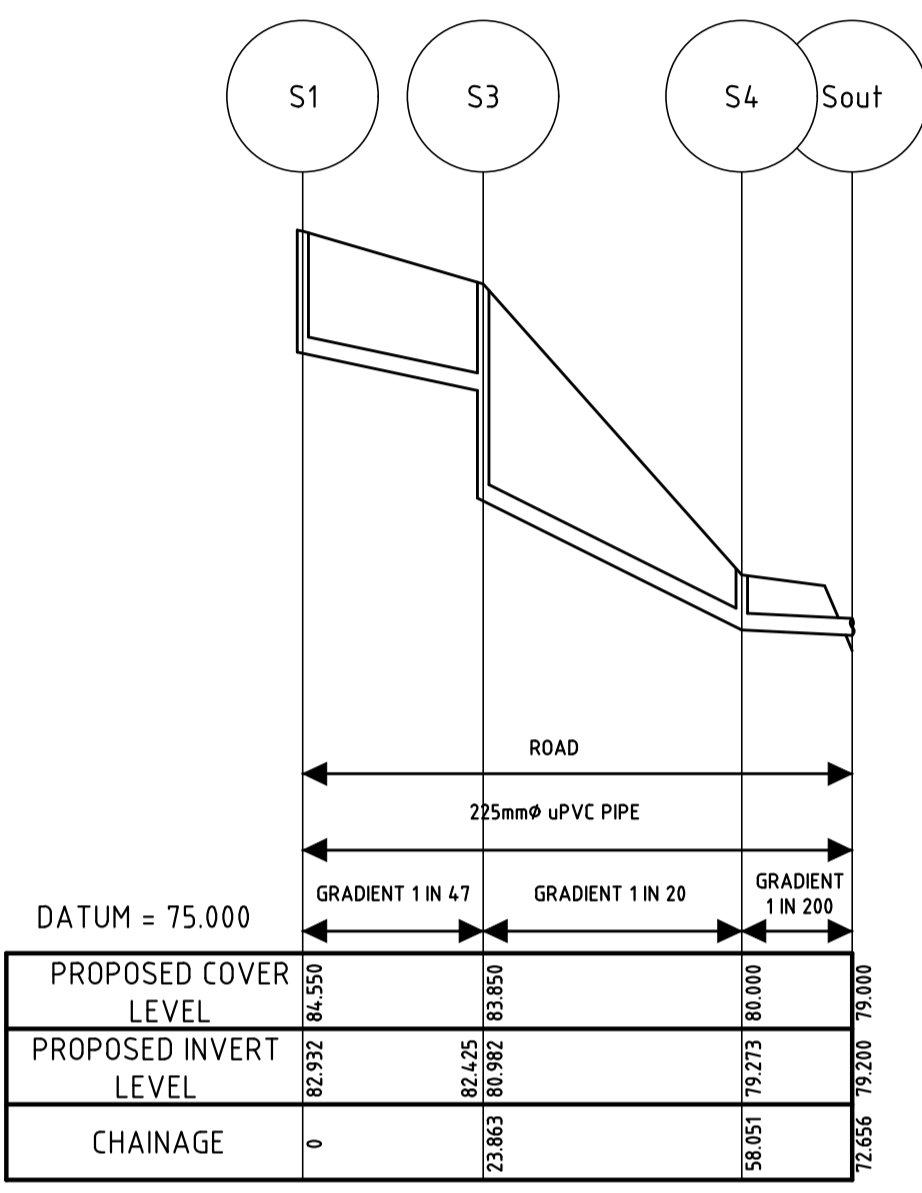




**LEGEND**

- PROPOSED STORM SEWER
- EXISTING STORM SEWER
- PROPOSED STORM MANHOLE
- PROPOSED ROAD GULLY
- PROPOSED FOUL SEWER
- EXISTING FOUL MANHOLE
- PROPOSED FOUL MANHOLE
- IRISH WATER INSPECTION CHAMBER
- FINISHED FLOOR LEVELS
- FINISHED ROAD LEVELS
- SITE BOUNDARY
- LAND HOLDINGS



**NOTES**

INDIVIDUAL WASTEWATER CONNECTION TO EACH DWELLING WILL BE AS PER STANDARD DETAIL STD-WW-02.

REFER TO SECTION 3.2 FOR SERVICE CONNECTION GRADIENTS.

THE INSPECTION CHAMBER WILL BE IN COMPLIANCE WITH STD-WW-03 AND STD-WW-13 AND WILL BE LOCATED WITHIN 1M OF EACH SITE BOUNDARY.

PIPE MATERIALS SHALL COMPLY WITH SECTION 3.13 OF THE IRISH WATER CODE OF PRACTICE.

PIPE MATERIALS WILL BE UNPLASTICISED PVC FOR THE MAIN SEWERS AS PER SECTION 3.13.3 OF THE IRISH WATER CODE OF PRACTICE.

MANHOLES WILL CONFORM TO STANDARD DETAILS STD-WW-09, STD-WW-10, STD-WW-11 AND/OR STD-WW-12 AS APPROPRIATE.

SEPARATION DISTANCES FROM FOUL SEWERS TO STRUCTURES AND OTHER UTILITIES WILL COMPLY WITH SECTION 3.5 OF THE IRISH WATER CODE OF PRACTICE.

REFER TO DETAILS STD-W-11 FOR TYPICAL SERVICES LAYOUT DISTANCES & STD-WW-05 FOR WASTEWATER TYPICAL SERVICES LAYOUT AND 3.21 IRISH WATER WASTEWATER CODE OF PRACTICE.

REFER TO SECTION 3.5.16 OF THE WASTE WATER IRISH WATER CODE OF PRACTICE FOR UNAVOIDABLE SERVICES CROSSOVER.

MANHOLE COVERS LOCATED IN GRASS AREAS TO HAVE 200mm ALL ROUND CONCRETE PLINTH AND 100mm DEEP FORMED CONCRETE, 20mm AGGREGATE, BEDDED IN CLAUSE 804 MATERIAL.

REFER TO SECTION 3.5.13 OF THE IRISH WATER CODE OF PRACTICE FOR STAGGERED MANHOLE SYSTEMS DETAILS.

EXTERNAL FACE OF PROPOSED MANHOLE CHAMBER TO BE A MINIMUM OF 0.5m FROM KERB LINE AND EXTERNAL FACE OF SEWERS ARE A MINIMUM OF 1M FROM KERB LINE. SEE SECTION 3.5.15 OF IRISH WATER WASTEWATER CODE OF PRACTICE

**WATER INFRASTRUCTURE**

CONFIRMATION BY A CHARTERED ENGINEER AND TEST RESULT CERTIFICATES & REPORTS INDICATING THAT THE WASTEWATER INFRASTRUCTURE HAS UNDERGONE APPROPRIATE ON-SITE TESTING OFF SITE TESTING AND COMMISSIONING. THE APPROPRIATE SITE TESTS FOR WASTEWATER COLLECTION INFRASTRUCTURE WOULD BE AS FOLLOWS:

- IGN TEST REPORTS - WATERMAIN PRESSURE TESTING
- SERVICE CONNECTION TEST RESULTS
- ELECTROBUTT FUSION WELD TEST RESULT REPORTS (DESTRUCTIVE TESTING)
- PRINTOUT OF THE JOINT DETAILS, WITH A GPS LOCATION OF EACH ELECTROFUSION & BUTT FUSION JOINT
- TESTING COMPLETION RESULTS FOR BOOSTER PUMP PLANT (IF APPROPRIATE)
- SWABBING & FLUSHING RECORDS
- DISINFECTION TEST REPORTS (ACCREDITED LABORATORY REPORT)
- WATER QUALITY SAMPLING RESULTS (ACCREDITED LABORATORY REPORT)

**WASTE WATER INFRASTRUCTURE**

CONFIRMATION BY A CHARTERED ENGINEER AND TEST RESULT CERTIFICATES INDICATING THAT THE WASTEWATER INFRASTRUCTURE HAS UNDERGONE APPROPRIATE ON-SITE TESTING AND COMMISSIONING. THE APPROPRIATE SITE TESTS FOR WASTEWATER COLLECTION INFRASTRUCTURE WOULD BE AS FOLLOWS:

- AIR TESTS AND WATER TESTS COMPLETION RESULTS FOR SEWERS
- WATER RETAINING TESTS COMPLETION RESULTS FOR MANHOLES AND PUMPING STATION STRUCTURES
- PRESSURE TESTING COMPLETION RESULTS OF RISING MAINS COMPLETE WITH A HARD COPY PRINT OUT FROM THE LOGGER OF THE RELAXATION CURVE AS PROOF OF THE OUTCOME OF THE TEST. (IGN 4-01-03 COMPLIANT REPORT)
- A PRINTOUT OF THE JOINT DETAILS, WITH A GPS LOCATION OF EACH JOINT (HDPE WELDING)
- PUMPING STATIONS - TESTING & COMMISSIONING REPORTS

**WASTEWATER INFRASTRUCTURE - CCTV & MANHOLE SURVEY REPORTS**

REPORTING AND DELIVERING - THE FINAL REPORTS AND DELIVERABLES TO IRISH WATER SHALL INCLUDE THE FOLLOWING ITEMS:

- A- CCTV SURVEY FOOTAGE FILES IN "XML" FORMAT SUBMITTED TO IRISH IN ACCORDANCE WITH MS&C 571 ADDITION, COMPATIBLE WITH INFONEET
- B - CCTV REPORTS, REPORTS SUBMITTED IDENTIFYING THAT NO DEFECTS EXIST, REPORTS SUBMITTED IN CD OR DVD FORMAT WITH A HARD COPY OF THE SURVEY REPORT.
- C - MANHOLE SURVEY REPORTS, REPORTS SUBMITTED IDENTIFYING THAT NO DEFECTS EXIST, REPORTS SUBMITTED IN "CSV" FORMAT ON CD OR DVD WITH A HARD COPY OF THE SURVEY REPORTS. MANHOLE REFERENCING SHALL BE CONSISTENT WITH THE AS CONSTRUCTED DRAWINGS TO IRISH NATIONAL GRID COORDINATES (INGI) TO +/- 100mm ACCURACY IN THE HORIZONTAL PLANE, WITH DIMENSIONS RELATING TO FIXED ORDNANCE SURVEY CO-ORDINATES.
- D - CERTIFICATION FROM THE CUSTOMERS CONSULTANT ENGINEER, CONFIRMATION THAT A QUALITY CONTROL REGIME HAS BEEN IMPLEMENTED WITH THE RESULT THAT NO DEFECTS EXIST IN EITHER THE SEWERS OR THE MANHOLES.

REV.	DATE	DESCRIPTION	APPROVED

COPYRIGHT RESERVED - THIS DRAWING IS NOT TO BE USED FOR A PURPOSE OTHER THAN THAT FOR WHICH IT HAS BEEN ISSUED BY ALAN TRAYNOR CONSULTING ENGINEERS. NOR IS IT TO BE COPIED OR REPRODUCED IN ANY MANNER WITHOUT WRITTEN CONSENT.

**ISO 9001 CERTIFICATION EUROPE**

**Alan Traynor Consulting Engineers Ltd**

Belturbet Business Park, Creevy Belturbet, Co. Cavan H14AY94  
 Bond House, 9-10 Lower Bridge Street, Dublin 8 D08H76

TEL: (+353) 49 9522236  
 E-MAIL: info@alantraynor.com  
 WEB: www.alantraynor.com

TEL: (+353) 1 9697881  
 E-MAIL: dublin@alantraynor.com  
 WEB: www.alantraynor.com

**CLIENT**  
**Comhairle Chontae Leitrim**  
**Leitrim County Council**

**PROJECT TITLE**  
**PROPOSED HOUSING DEVELOPMENT LAHARD, BALLINAMORE, CO. LEITRIM**

**DRAWING TITLE**  
**STORM & FOUL SEWER LAYOUT AND SECTIONS**

SCALE	DRAWN	CHECKED	APPROVED
1:250	MARC McBRIDE	LIAM McELGUNN	ALAN TRAYNOR
	DATE	DATE	DATE
	APRIL 2020	APRIL 2020	APRIL 2020

**DRAWING No.** 20-051-100