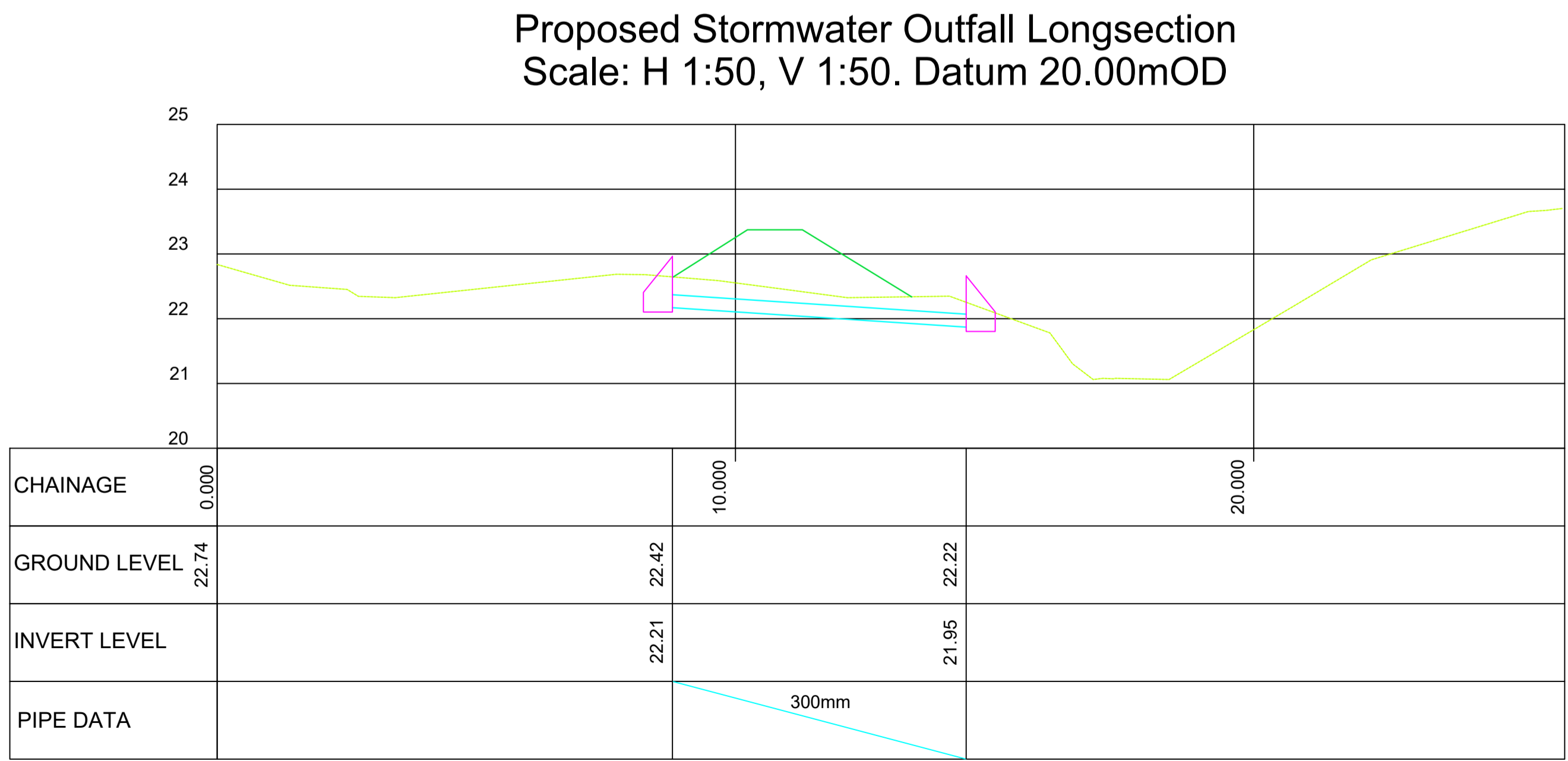


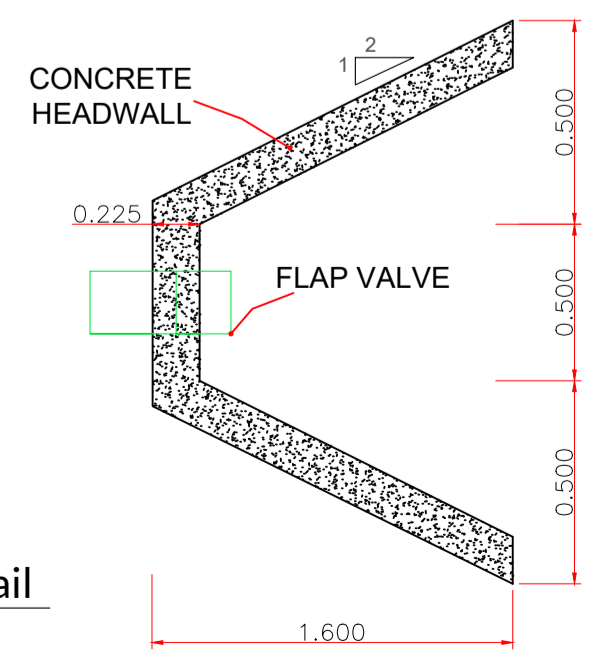
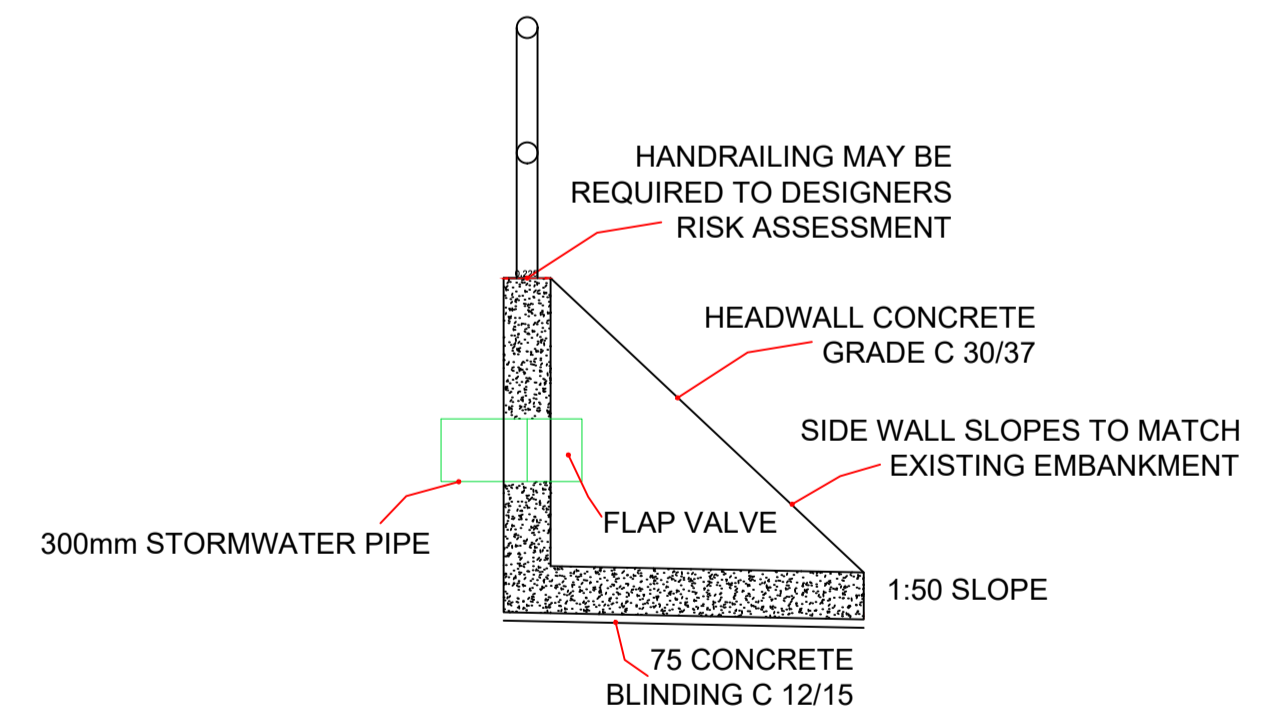
- NOTES:**
1. FIGURED DIMENSIONS ONLY TO BE TAKEN FROM THIS DRAWING.
 2. ALL DRAWINGS TO BE CHECKED BY THE CONTRACTOR ON SITE.
 3. ENGINEER/EMPLOYERS REPRESENTATIVE, AS APPROPRIATE, TO BE INFORMED BY THE CONTRACTOR OF ANY DISCREPANCIES BEFORE ANY WORK COMMENCES.
 4. THE CONTRACTOR SHALL UNDERTAKE A THOROUGH CHECK FOR THE ACTUAL LOCATION OF ALL SERVICES/UTILITIES, ABOVE AND BELOW GROUND, BEFORE ANY WORK COMMENCES.
 5. ALL LEVELS SHOWN RELATE TO ORDNANCE SURVEY DATUM AT MALIN HEAD.

LEGEND:

- RED LINE BOUNDARY
- BLOCK WALL
- FENCE
- SURFACE WATER PIPE
- ROAD
- HARDSTANDING
- GRASS
- BUILDING
- RIVER
- SEPTIC TANK
- STONE WALL
- ACCESS ROAD RAMP
- EMBANKMENT SIDE SLOPES
- EMBANKMENT CREST
- RETAINING WALL
- PRECAST WALL
- HEADWALL
- MANHOLE



Proposed Surface Water Headwall Outfall With Flap Valve Detail



Rev	Date	Description	By	Chkd.
B	01-11-24	PLANNING ISSUE	K.D.	P.C.
A	10-09-24	PLANNING ISSUE	K.D.	P.C.

Client: **LEITRIM COUNTY COUNCIL**

Project: **DROMAHAIR FLOOD RELIEF SCHEME**

Title: **PROPOSED RESIDENTIAL PROPERTY NO. 2 STORMWATER OUTFALL LAYOUT**

Scale @ A1: **1:500**

Prepared by: **K.D.** Checked by: **P.C.** Date: **10-09-2024**

Drawing Status: **PLANNING ISSUE**



TOBIN will not be held for any use of this document for any purpose other than that for which it was originally prepared and provided. Except where specifically and explicitly agreed in writing by TOBIN, its copyright holder, no part of this document may be reproduced, stored in a retrieval system or transmitted in any form and this document shall not be relied upon by any third party for any purpose.

Drawing No.: **11271-6013** Revision: **B**

Longsection
SCALE: As Shown

Headwall Detail
SCALE: NTS